



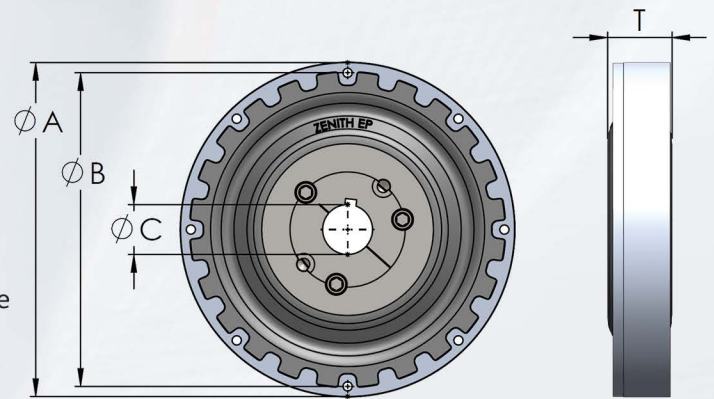
### Product Advantages

The C20000 series Flexible Drive Couplings is meticulously engineered to withstand the rigors of demanding applications in construction, industrial, rental, and municipal sectors. Originally tailored for compatibility with GloTech’s P2100 and P2400 series pumps, these highly flexible couplings are ideal for connection with diesel engine drives. Constructed with premium materials and advanced manufacturing processes, they deliver exceptional strength for a wide range of torque transmission, while maintaining the flexibility to accommodate misalignments and absorb shock and vibration.



### Key Features

- Optimized design accommodates angular, axial, and parallel misalignment between engine flywheel and shaft
- Engineered for maximum shock absorption and torsional vibration reduction
- Standard SAE flanges and Taper Lock Bushings for compatibility with a wide range of equipment
- Axial plug-in design for ease of installation and maintenance
- Advanced rubber bonding design and manufacturing process for superior performance and durability



### Dimensions

MODEL	SAE #	OVERALL OD "A"	BOLT HOLE DIA "B"	SHAFT SIZE "C"	THICKNESS "T"
C20065	6.5	224.0[8.82]	200.0[11.63]	50.8[2.00]	41.0[1.61]
C20010	10	314.3[12.37]	275.0[10.83]	50.8[2.00]	37.0[1.46]
C20115	11.5	352.4[13.87]	333.4[13.13]	50.8[2.00]	52.0[2.05]
C20014	14	468.0[18.43]	438.2[17.25]	69.9[2.75]	90.0[3.54]

Standard shaft sizes shown. Alternative shaft sizes available upon request