



Key Features

- Built with advanced hydraulic design, premium materials, and the strictest quality standards
- Replaceable wear ring made of stainless steel for significantly improved corrosion and wear resistance, sealing function, and serviceability
- Oversized valve seat and elevated disc lift allow for increased flow rate with minimal pressure loss compared to competing brands
- Double O-ring design enhances valve chamber isolation, effectively preventing fluid leakage
- Diaphragm thickness exceeds twice that of competing brands, ensuring exceptional durability and long-lasting performance
- Compatible with a diverse range of control devices



Specifications

MODEL	V1020	V1025	V1040	V1050	V1050B
Pipe Size	3/4"	1"	1.5"	2"	2"
Medium	Fluid or Gas	Fluid or Gas	Fluid or Gas	Fluid or Gas	Fluid or Gas
Pressure Rating	125 PSI	125 PSI	125 PSI	125 PSI	125 PSI
Cv	11	13	33	68	88
Max Temp.	150 °F	150 °F	150 °F	150 °F	150 °F

Materials of Construction

COMPONENT	CONSTRUCTION
Cover	Ductile Iron
Body	Ductile Iron
Internals (Shaft, Spring, Seal Plates, etc.)	Stainless Steel
Wear Ring	Stainless Steel
Diaphragm	Buna-N
O-Ring	Buna-N
Coating	Fusion Bonded Epoxy



Product Overview

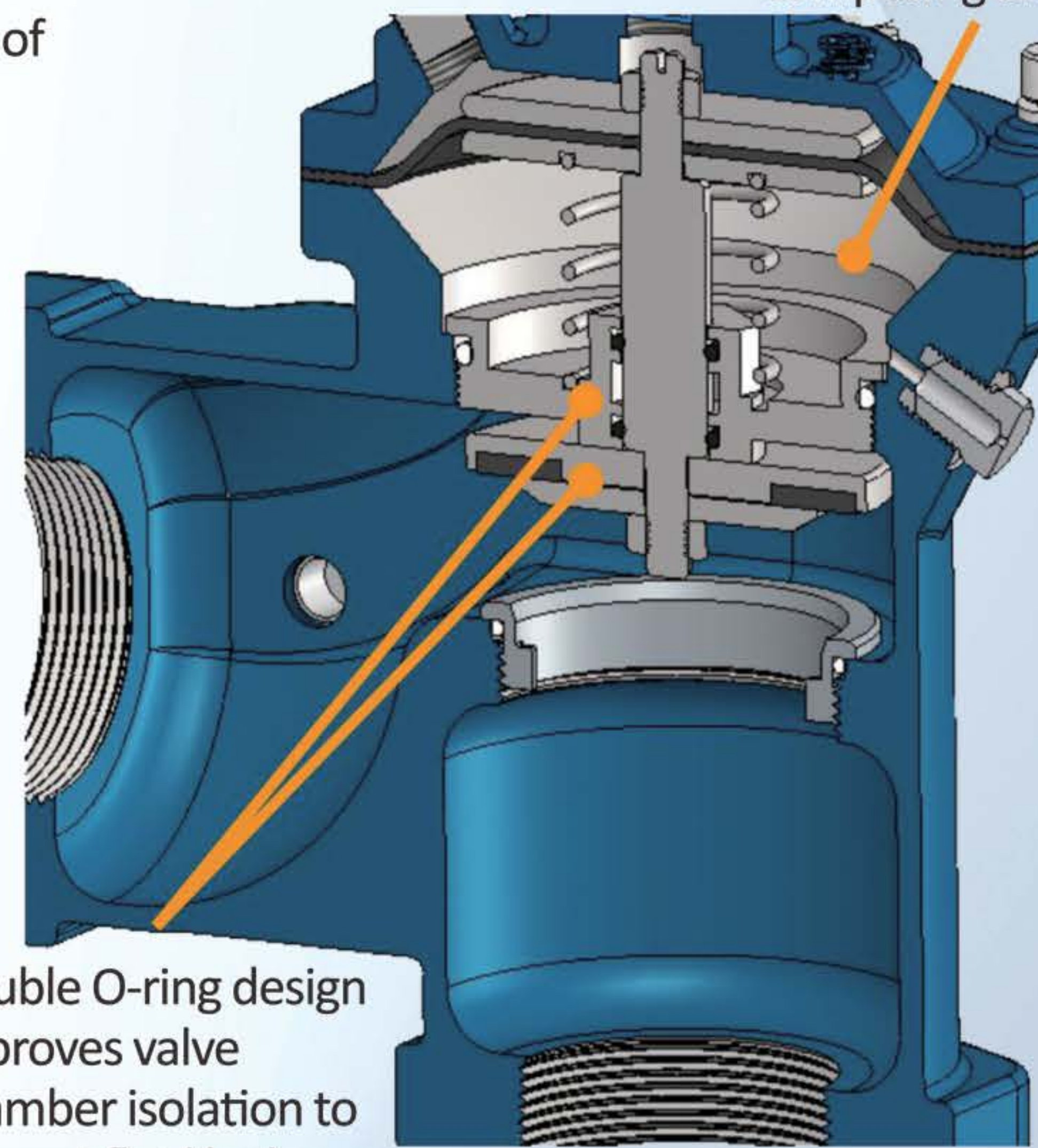
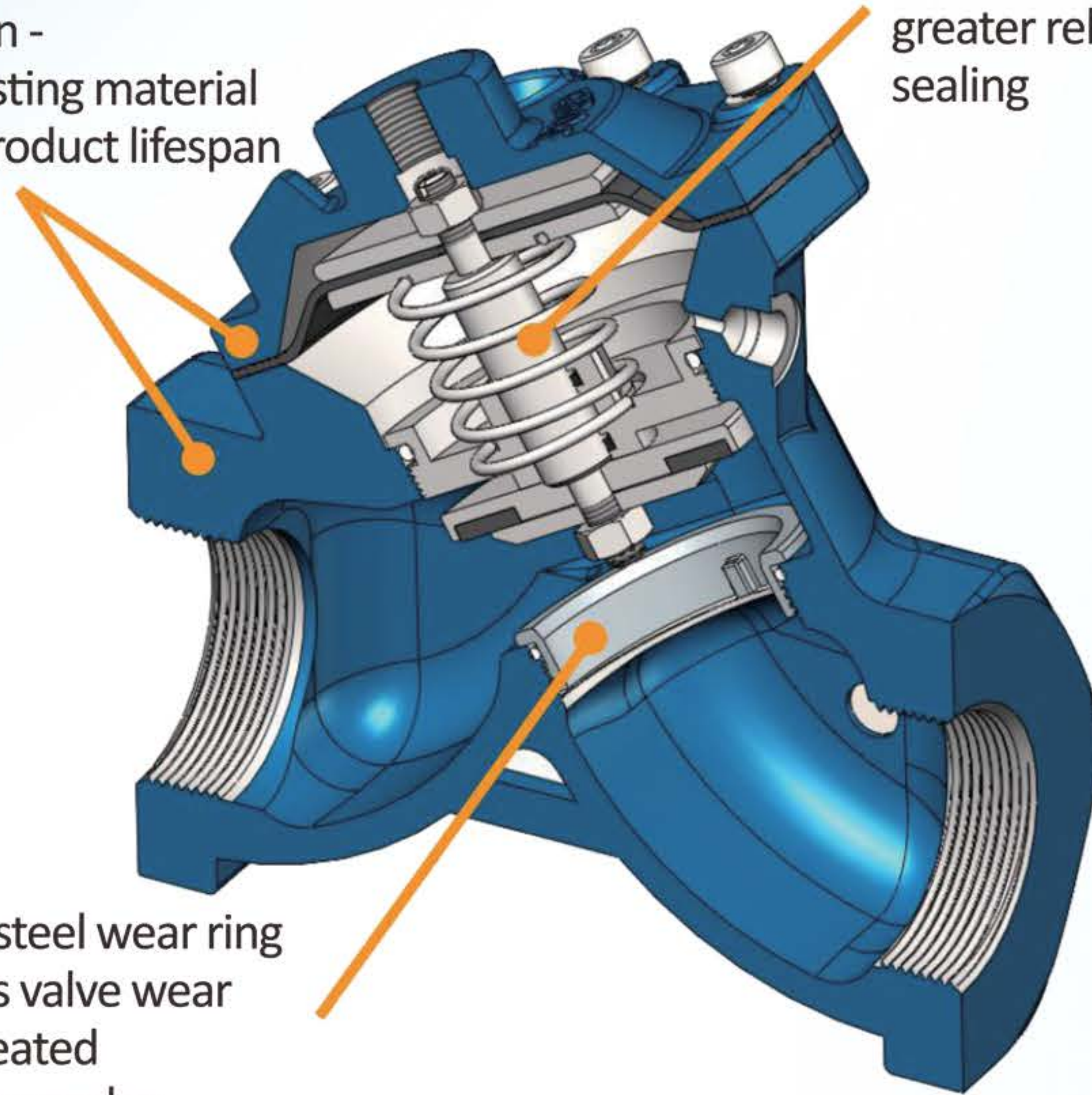
Rugged ductile iron construction - stronger casting material improves product lifespan

Improved, stainless steel shaft design - greater reliability of sealing

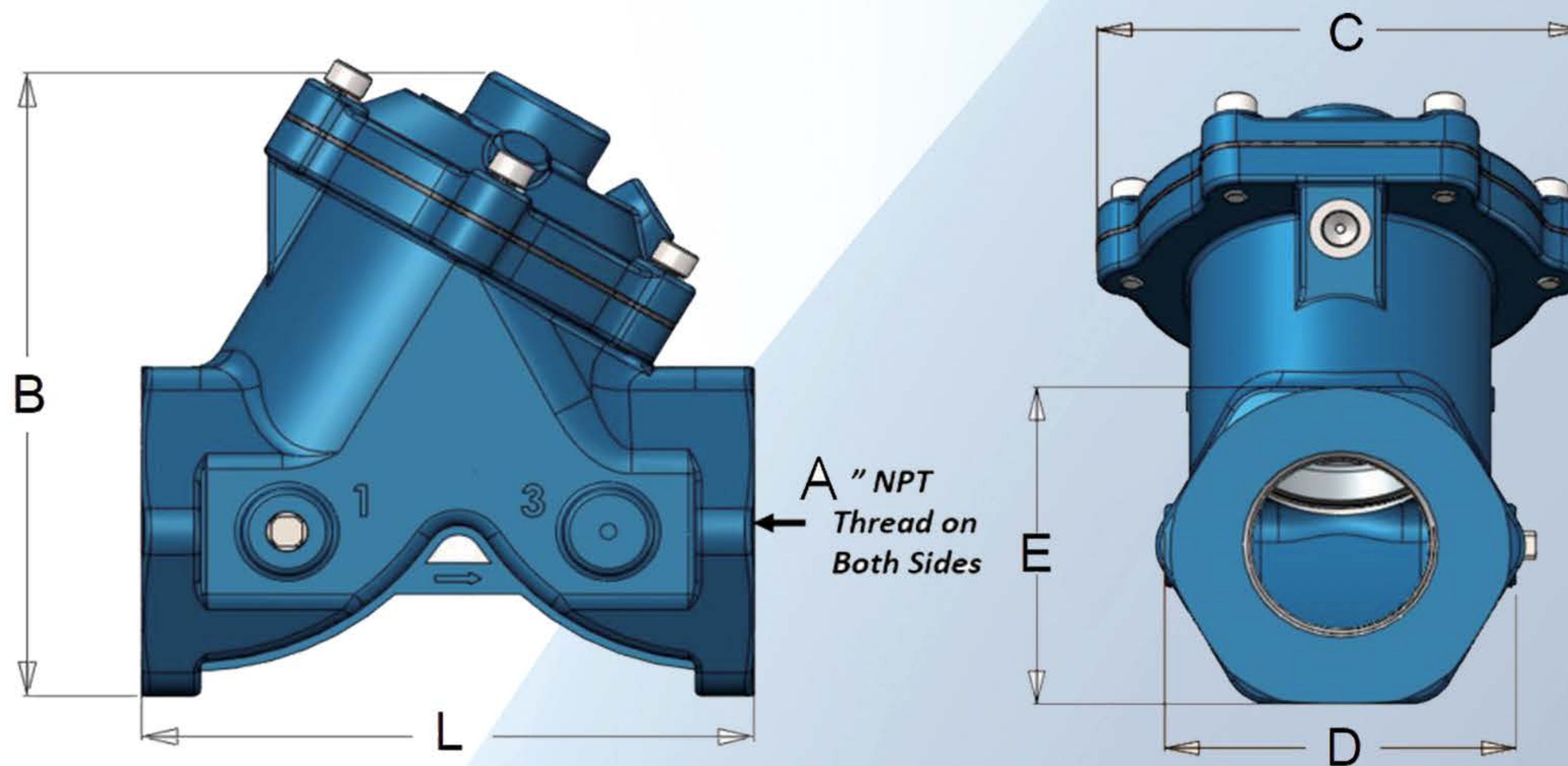
Diaphragm double the thickness of competing brand

Stainless steel wear ring decreases valve wear from repeated open/close cycles

Double O-ring design improves valve chamber isolation to prevent fluid leakage



Installation Dimensions



PRODUCT DIMENSIONS						
MODEL NO.	L	A	B	C	D	E
V1020	3.74	3/4	4.26	2.81	2.24	1.89
V1025	3.74	1	4.26	2.81	2.24	1.89
V1040	4.69	1.5	5.52	3.47	2.93	2.70
V1050	7.37	2	7.91	6.10	4.41	4.17