

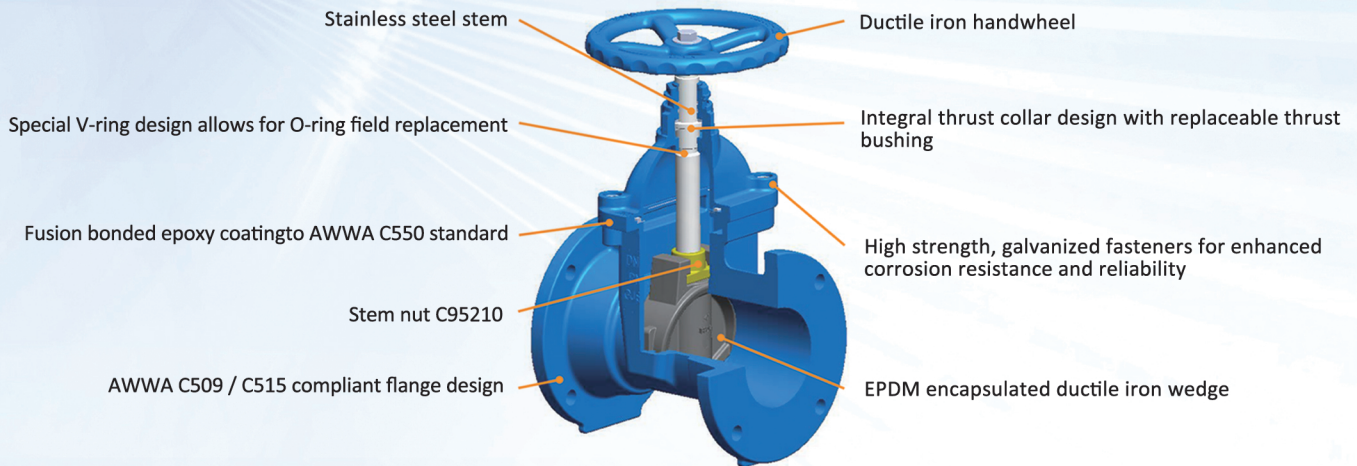


Specifications

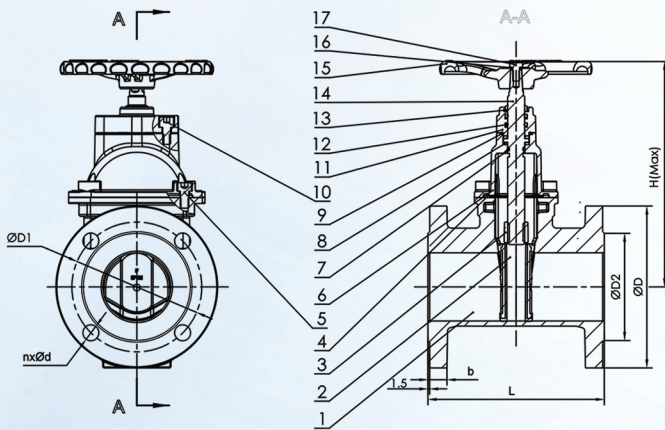
1. AWWA C515 Compliant for 2"-8"
2. AWWA C509 Compliant for 10"-12"
3. Approval: UL / FM on 2"-12"
4. Standard ANSI B16.10 Flange Connections
5. Working Pressure: 300 PSI for 2"-12"
6. Temperature Rating: 35°F to 180°F
7. Fusion Bonded Epoxy Coating to AWWA C550
8. Non-Rising Stem (NRS)
9. 2" Square Operating Nut Included



Product Advantages



Material Specifications



Item	Part Name	Material
1	Body	Ductile iron
2	Wedge	Ductile iron + EPDM
3	Stem Nut	Aluminum Bronze
4	Gasket	EPDM
5	Bolt	Carbon steel
6	Bonnet	Ductile iron
7	O-ring	EPDM
8	Washer	Nylon
9	O-ring	EPDM
10	Bolt	Carbon steel
11	Gland	Ductile iron
12	O-ring	EPDM
13	Dust-proof ring	EPDM
14	Stem	SS420
15	Handwheel	Ductile iron
16	Washer	Carbon steel
17	Bolt	Carbon steel

Installation Dimensions

SIZE	L	D	D1	D2	n-d	b	H(Max)
2	7.01	5.91	4.75	3.62	4-3/4	0.69	9.06
2 1/2	7.48	7.09	5.50	4.13	4-3/4	0.81	10.04
3	7.99	7.48	6.0	5.0	4-3/4	0.88	1.02
4	9.02	9.06	7.50	6.18	8-3/4	0.88	12.60
5	10.00	10.04	8.50	7.32	8-7/8	0.88	14.57
6	10.51	11.02	9.50	8.50	8-7/8	0.94	16.14
8	11.50	13.58	1.75	10.63	8-7/8	1.06	20.28
10	12.99	15.94	14.25	12.76	12-1	1.13	23.82
12	14.02	19.09	17.00	15.00	12-1	1.19	27.17