



Product Overview

The P2100 series end suction centrifugal pumps sets the new standard in performance and reliability. Proudly and expertly engineered in the USA, these pumps incorporate decades of modern innovations in pump hydraulics, materials, and manufacturing techniques to achieve efficiencies as high as 90%. Its heavy duty design, combined with the highest material and quality standards, enables the P2100 to outlast all other competitors to consistently provide the best performance and value in the industry.

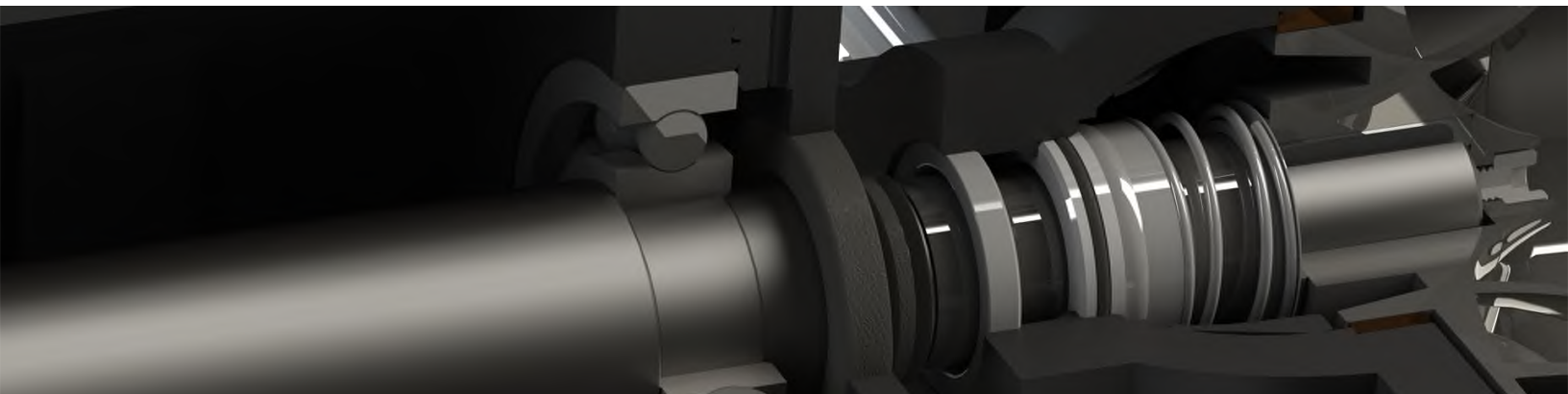


Applications

- Pressure Booster
- Agriculture / Irrigation
- Municipal Water Supply / Treatment
- Industrial / Process Water

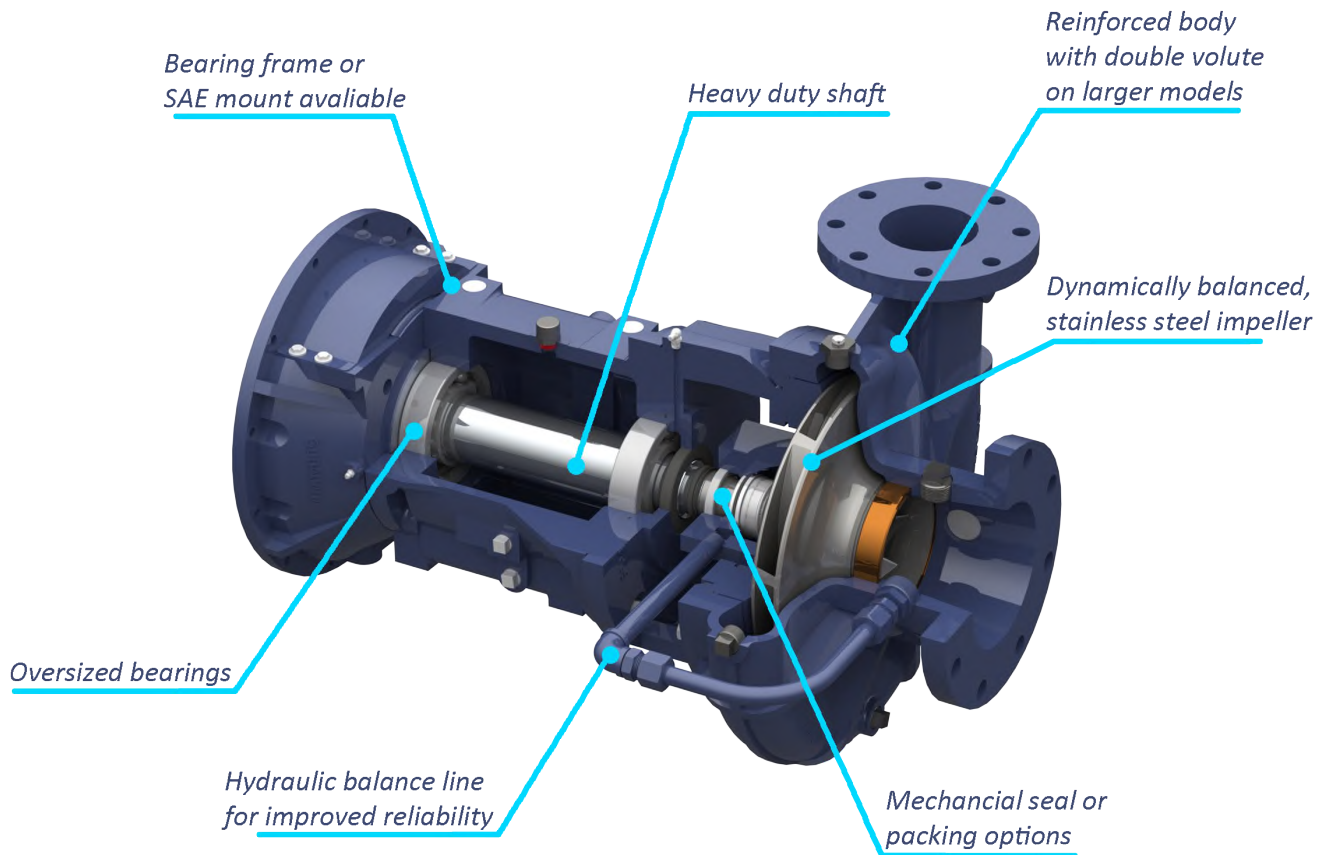
Key Features

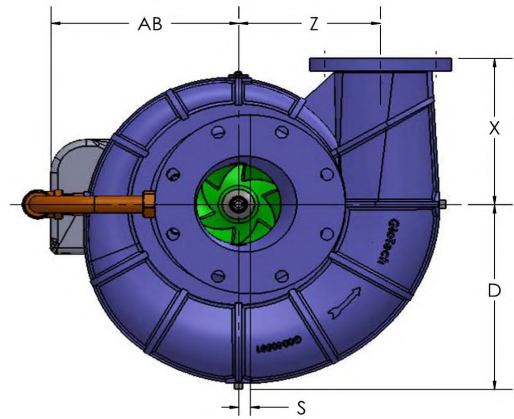
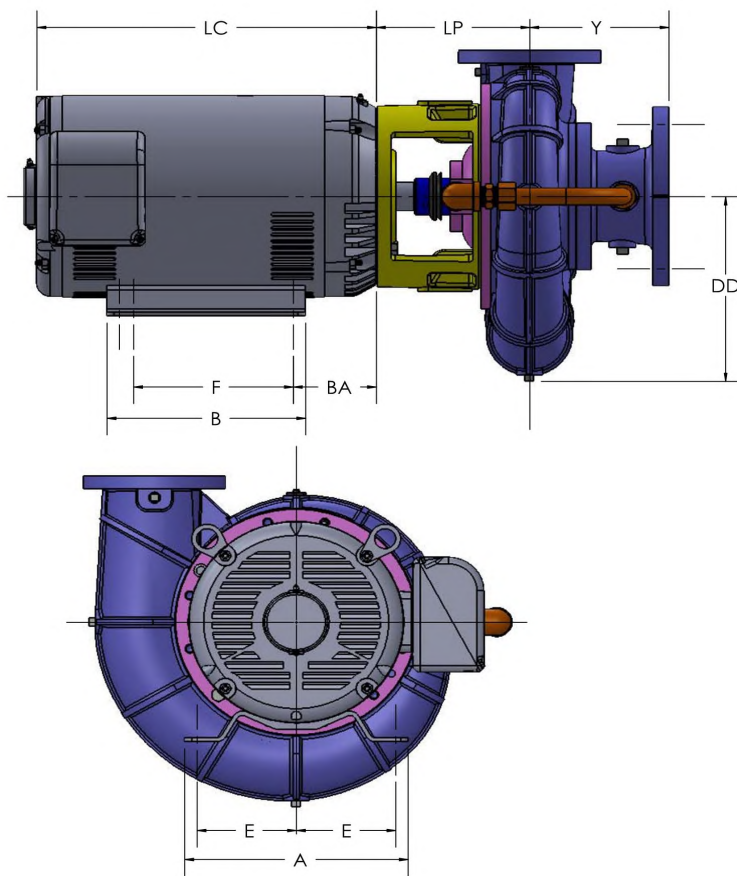
- Covers flows up to 3,500 GPM
- Industry leading efficiencies of up to 90% lowers operating costs and are fully compliant with new DOE energy conservation standards
- Heavy-duty, reinforced volute design for maximum strength. Double volute design on larger models
- Investment cast, precision balanced stainless steel impellers standard, providing smoother operation and improved corrosion resistance
- Back pull-out design and replaceable shaft sleeves and wear rings enable convenient and cost-effective maintenance / repair
- Available with standard mechanical seal or packing options
- Key product dimensions designed to allow “drop-in” replacement of many existing pump installations





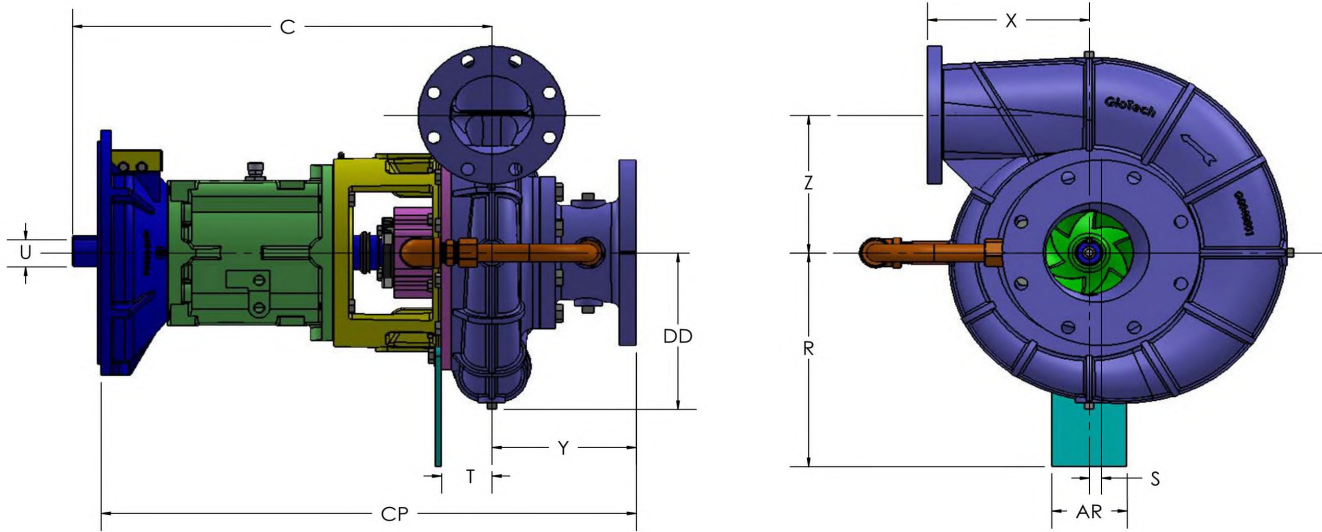
Materials of Construction		
Part Name	Material	Spec Number
Volute	Cast Iron	ASTM A48 CL30
Impeller	Cast Stainless Steel	ASTM A743 CF-8
Wear Ring	Bronze	907LF
Back Plate	Cast Iron	ASTM A48 CL30
Bracket	Cast Iron	ASTM A48 CL30
Shaft	Stainless Steel	AISI 5140





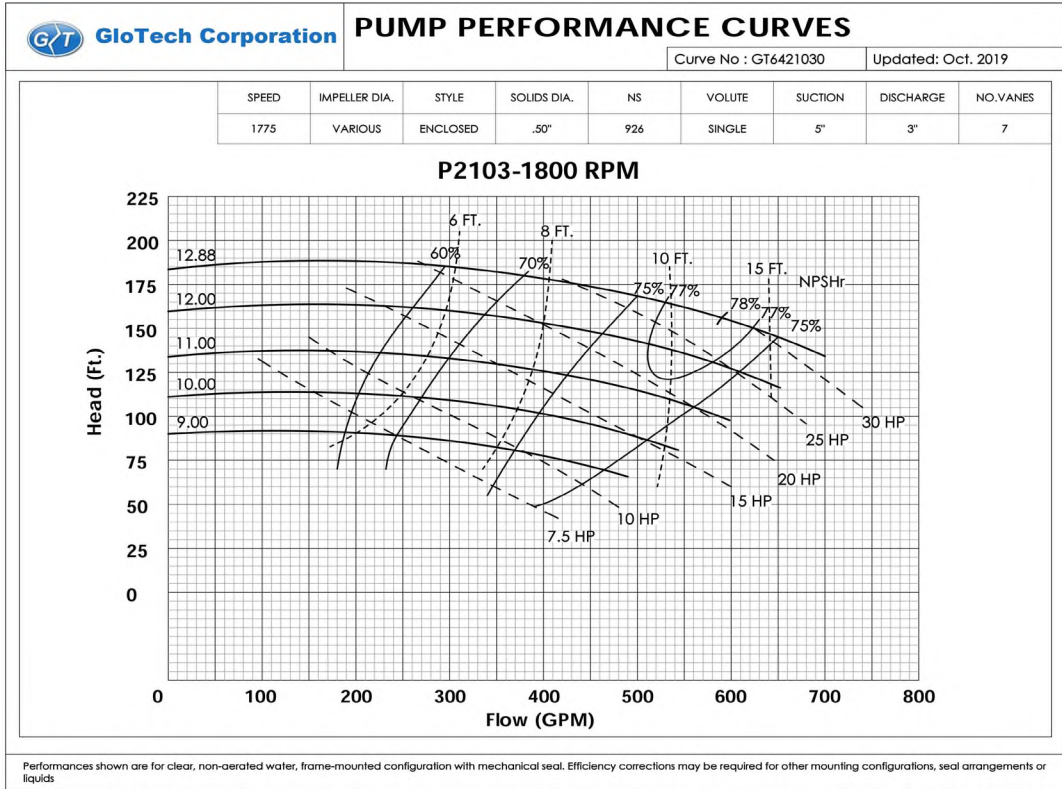
PUMP DIMENSIONS										
MODEL	CONNECTION		DISCH. INCR.	AK Dim.	DD	S	X	Y	Z	LP
	DISCH.	SUCT.								
P2103	3	5	90°	12.50	9.42	-	8.57	5.44	7.68	7.60
P2104	4	6	90°	12.50	10.53	-	9.96	7.41	8.03	7.70
P2105	5	8	90°	12.50	13.91	0.81	11.01	9.81	9.98	10.82
P2106	6	10	90°	12.50	14.42	1.00	11.04	10.11	9.59	11.28

MOTOR DIMENSIONS										
MOTOR FRAME	AK DIM.	A	B	D	E	F	H	AB	BA	LC
284-6	12.50	12.25	12.25	7.00	5.50	11.00	0.53	11.37	5.00	21.31
324-6	12.50	14.25	14.00	8.00	6.25	12.00	0.66	12.22	5.55	22.19
364-5	12.50	15.75	14.00	9.00	7.00	12.25	0.66	13.20	6.12	24.31
404-5	12.50	18.50	16.62	10.00	8.00	13.75	0.81	16.39	6.88	29.97

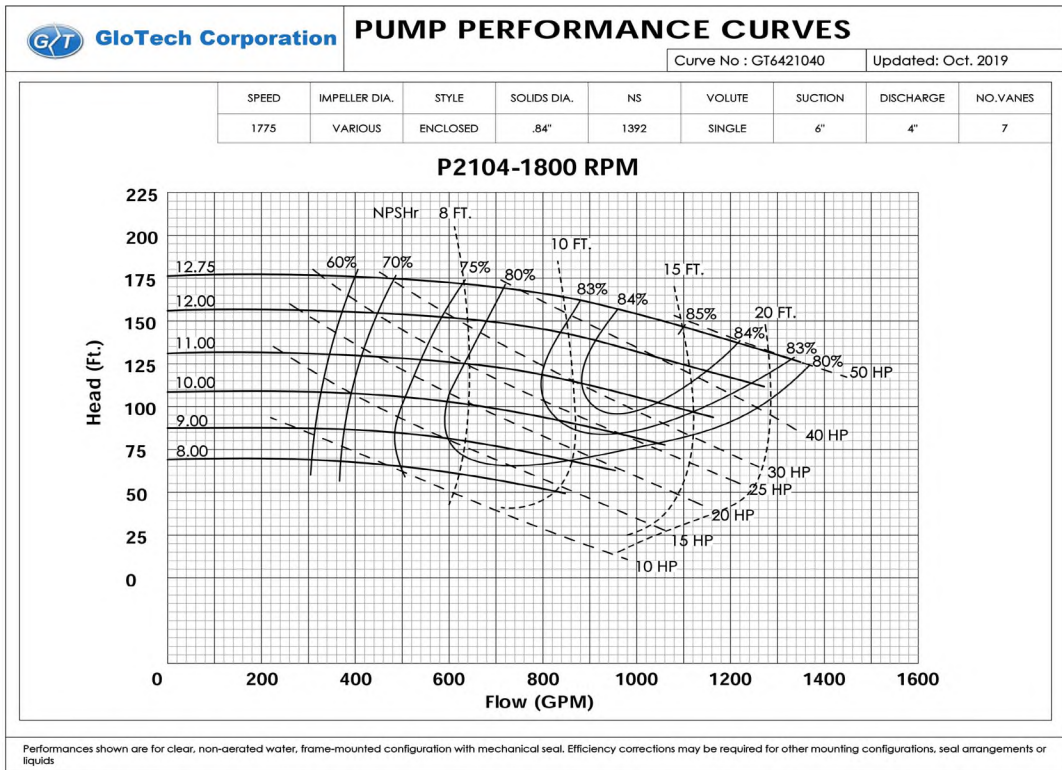


PUMP DIMENSIONS

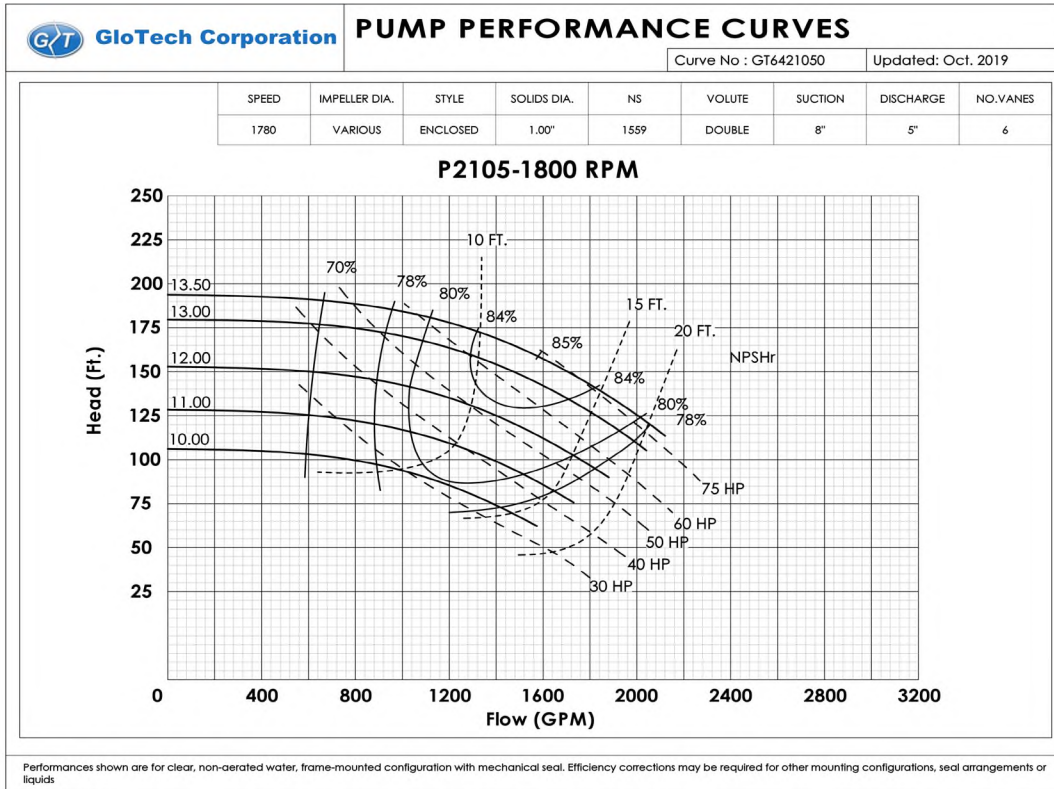
MODEL	FRAME	CONNECTION		DISCH. INCR.	AR	C	CP	DD	R	S	T	U	X	Y	Z	KEYWAY
		DISCH.	SUCT.													
P2103	EM16	3	5	90°	5.25	23.61	29.05	9.42	14.89	-	2.96	2.0	8.57	5.45	7.68	.500 x .250
P2104	EM16	4	6	90°	5.25	23.83	31.18	10.08	14.90	-	3.03	2.0	9.98	7.50	9.96	.500 x .250
P2105	EM16	5	8	90°	5.25	28.51	36.38	11.79	15.49	0.81	3.42	2.0	11.01	9.81	9.98	.500 x .250
P2106	EM18	6	10	90°	5.25	30.25	38.24	11.27	15.57	1.00	3.95	2.5	11.04	10.11	9.59	.625 x .218



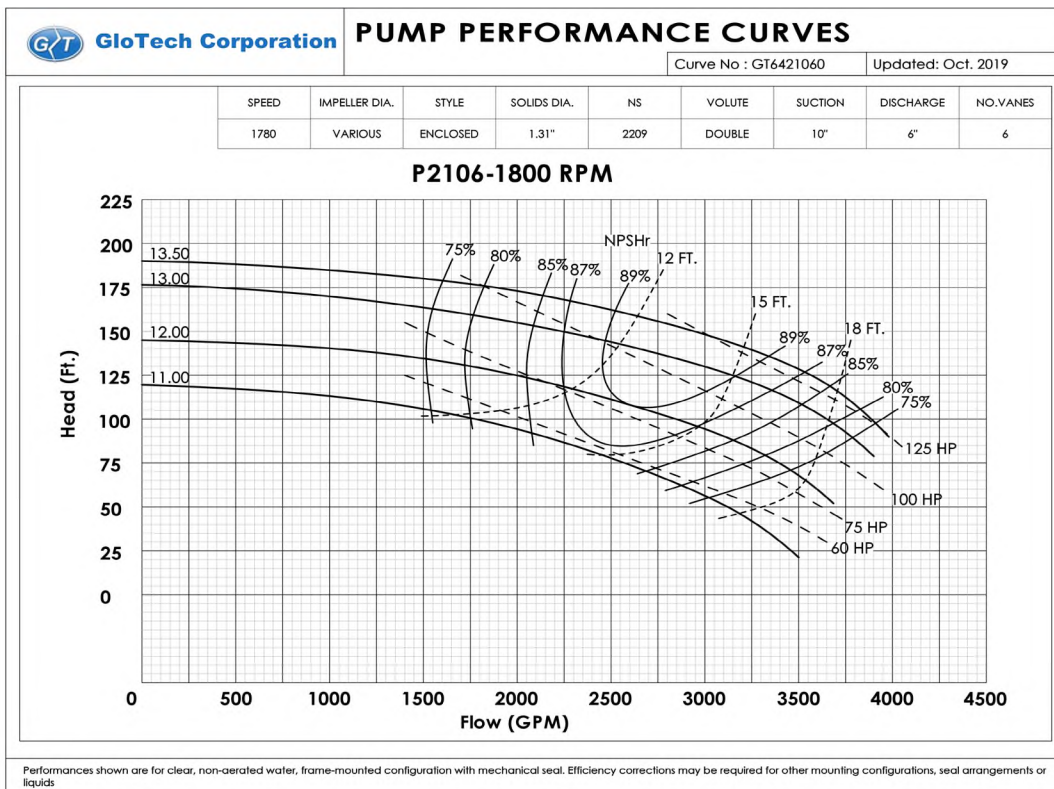
MODEL	P2103
BEP FLOW	558 GPM
BEP HEAD	162 FT
EFF AT BEP	78%
SHUTOFF HEAD	181 FT
MAX WORKING PRESSURE	175 PSI
DISCHARGE SIZE	3"
SUCTION SIZE	5"



MODEL	P2104
BEP FLOW	1120 GPM
BEP HEAD	149 FT
EFF AT BEP	84%
SHUTOFF HEAD	178 FT
MAX WORKING PRESSURE	175 PSI
DISCHARGE SIZE	4"
SUCTION SIZE	6"



MODEL	P2105
BEP FLOW	1592 GPM
BEP HEAD	157 FT
EFF AT BEP	85%
SHUTOFF HEAD	193 FT
MAX WORKING PRESSURE	175 PSI
DISCHARGE SIZE	5"
SUCTION SIZE	8"



MODEL	P2106
BEP FLOW	3143 GPM
BEP HEAD	149FT
EFF AT BEP	89%
SHUTOFF HEAD	181 FT
MAX WORKING PRESSURE	175 PSI
DISCHARGE SIZE	6"
SUCTION SIZE	10"

