

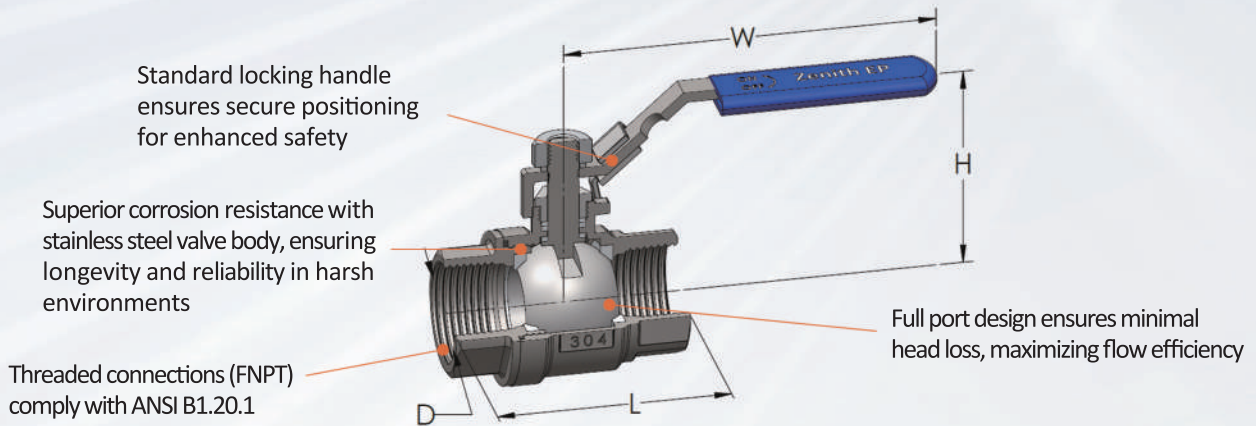


Specifications

- Pressure rating: 1000 WOG
- Threaded ends: ANSI B1.20.1, BS21, ISO7/1
- Working temperature: -15°F (-25°C) ~ 360°F (+ 180°C)
- Investment cast body and bonnet
- Material options: CF8 (304SS), WCB (ASTM A216), CF8M (316SS)



Product Advantages



Installation Dimensions

DIMENSIONS					
SIZE	d	L	H	W	WEIGHT
	(in)				(lb)
1/4"	0.5	2.0	2.1	4.0	0.4
3/8"	0.5	2.0	2.1	4.0	0.4
1/2"	0.6	2.2	2.1	4.0	0.5
3/4"	0.8	2.6	2.4	4.4	0.7
1"	1.0	3.0	2.8	5.6	1.1
1-1/4"	1.3	3.4	3.2	5.6	1.8
1-1/2"	1.5	3.7	3.5	6.7	2.4
2"	2.0	4.3	3.7	6.7	3.4
2-1/2"	2.6	5.7	4.6	9.6	7.0
3"	3.0	6.5	5.2	9.6	11.2
4"	3.7	8.2	6.6	10.8	23.2

